

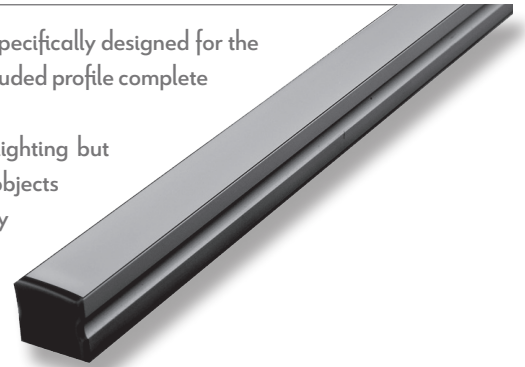
Omega-17 LED Surface Mounted Profile



Description

Introducing the OMEGA-17-SM surface mounting profile system. The OMEGA-17-SM is specifically designed for the Domus range of LED strip lighting. This aluminium mounting profile system incorporated extruded profile complete with a flat opal PMMA diffuser.

The key features of the OMEGA-17-SM is the ability to not only conceal the LED strip lighting but also keep the strip lighting linear. Also, the OMEGA-17-SM keeps LEDs free from foreign objects and vapours which may damage the LEDs. A simple and shallow yet very contemporary LED surface or wall mounted profile ideally suited to under bench mounting, pelmets, wardrobes, or laundry applications.

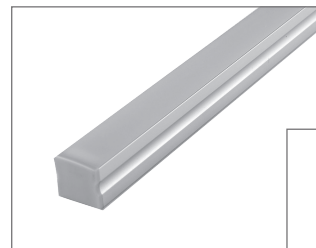


Specification Features

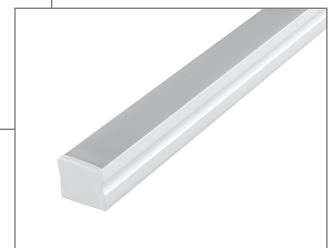
Installation:	Surface or Wall Mounted
Material:	Extruded Aluminium 6063
Finish:	Natural clear anodised, Black or White
Diffuser:	Flat (PMMA) High Output Frost colour
Length:	3000mm Continuous*
Size:	Profile (W) 17mm, (H) 15.2mm
Special:	Custom powder coated colour upon request**
Driver Installation	Remote Driver Required

* Profile sold per metre. Can be cut to any length up to 3m. Includes endcap & mounting clips.

** Special powder coat finishes upon request. Surcharges apply.

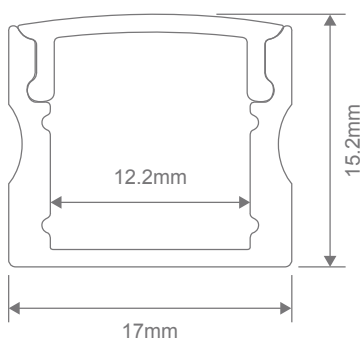


Aluminium Finish



White Finish

Diagrams / Additional



Compatible PLEX-COB LED Strip

5W	10W	15W	20W
•	•	•	•

Item No.	Length	Variant		
		Blk	Alu	Wht
OMEGA-17-SM	1 Metre	22127	22126	22128
	3 Metre	22112	22111	22113